



**Flexo-Technic Handels GmbH**

**USED CODE NO. 1-430**

**LIGHT-FINISHER *DuPont 1002 L-F***



LIGHT-FINISHER  
For anti-tacking with UV-C  
+ Post exposure with UV-A

PRICES:	EURO
Du Pont Cyrel* LIGHT-FINISHER DP 1002 L-F Format 92 x 120 cm	5.200



**PRICE EXCLUDES:**

The costs of delivery, insurance, unloading and positioning, installation, training, commissioning and all taxes.

An estimate will be provided on request, should the customer require assistance with the installation of the machine at the customer's premises

**DELIVERY TIME:**

Delivery could take place 2 weeks from receipt of your firm order, along with the payment and clarification of all technical and commercial details.

**TERMS OF PAYMENT:** Pre paid bevor shipment .



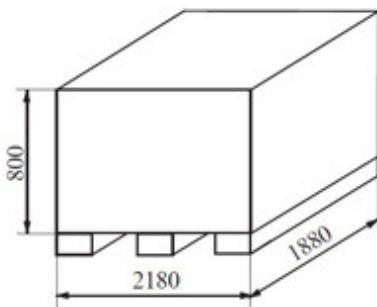
## Technical information for the *Light-Finisher DuPont 1002 LF*

For anti-tacking with UV-C  
+ Post exposure with UV-A

max. Plate format	920 x 1200 mm
Height	300 mm (655 mm)
Width	2010 mm
Depth	1650 mm
Net weight	320 kg
Temperatur up to	100 °C
Power	3 kW
4000 V/50Hz 3/ ph + neutral + PE	

Year of make: 02/1997

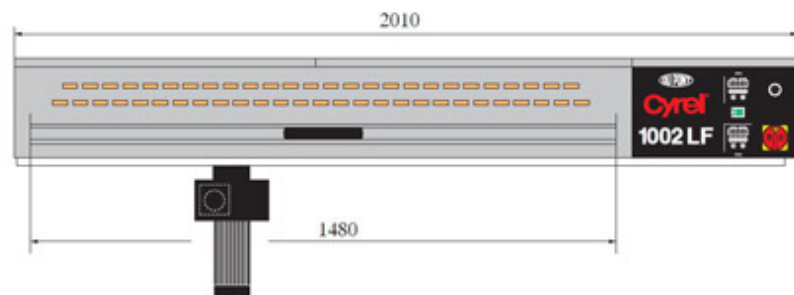
### *DP 1002 LF*



OR;

Voltage :	400 V+/- 10% 3 ph + neutral + PE
Frequency :	50 Hz
Nominal intensity :	9 A
Nominal power :	3 kW
Supply cable :	5 x 6 mm <sup>2</sup> (length: 5 m).

Noise: Weighted sound level A < 70 dB



DP 1002 LF Code LF 1430